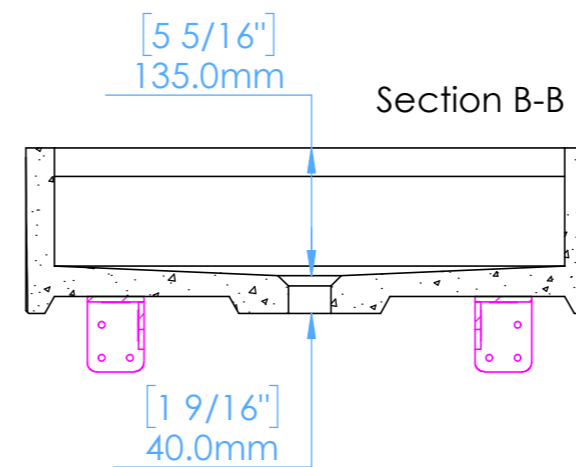
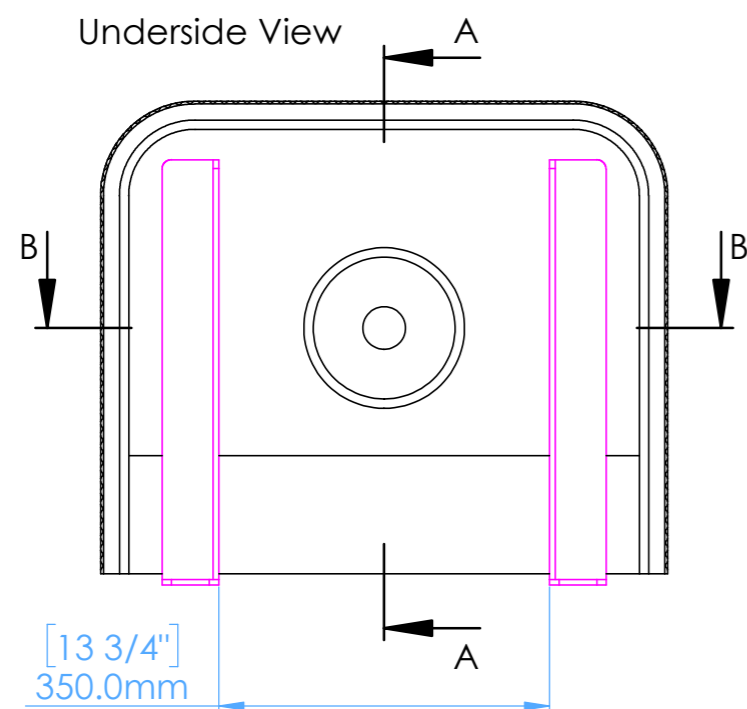
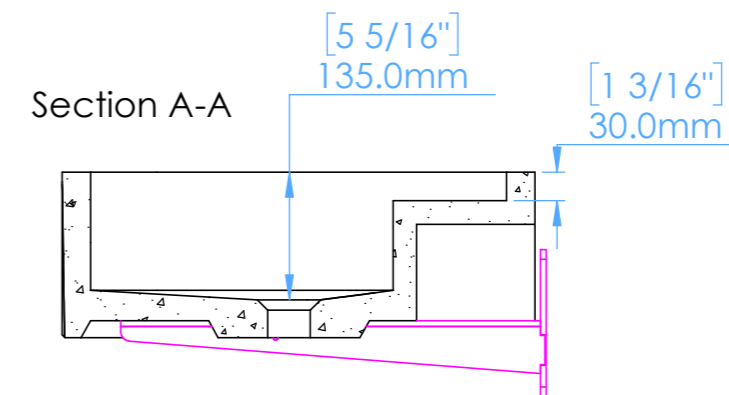
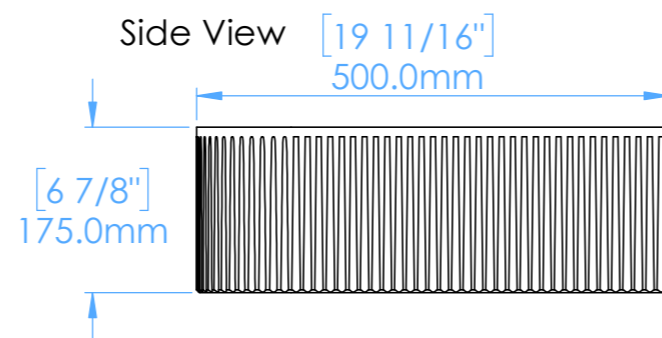
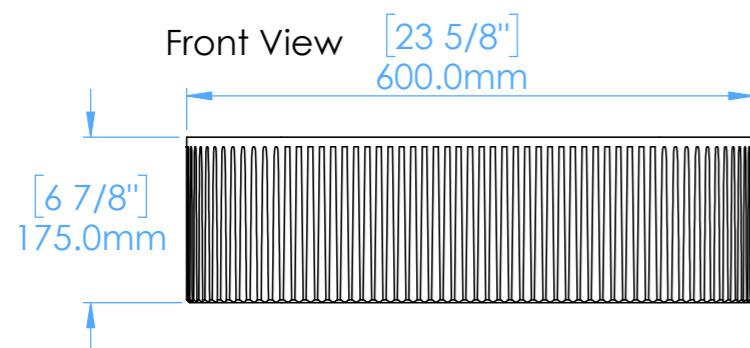
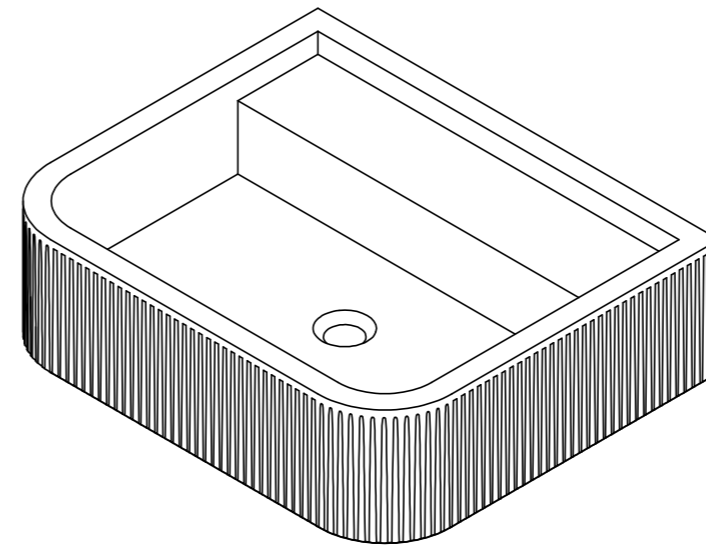
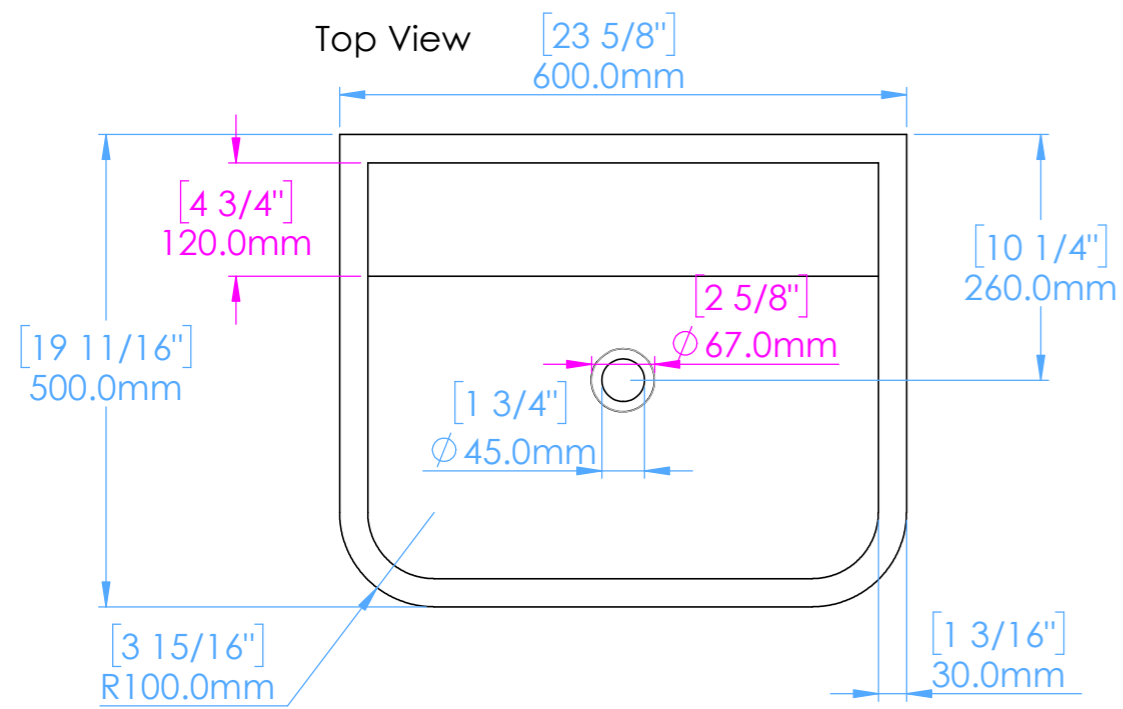


Rue A1



NOTES

Unless otherwise specified, dimensions are in millimeters.

Kast take no responsibility for any dimensions obtained by scaling from this drawing.

DIMENSIONS:

L600mm (23 5/8inches)
W500mm (19 11/16inches)
H175mm (6 7/8inches)

CODE:	RU.A1
WEIGHT:	41kg / 90lbs
BRACKETS:	Included
DRAWN BY:	DB
TOLERANCE:	+/- 3mm

Kast

+44 (0) 1623 709249
info@kastconcretebasins.com
kastconcretebasins.com