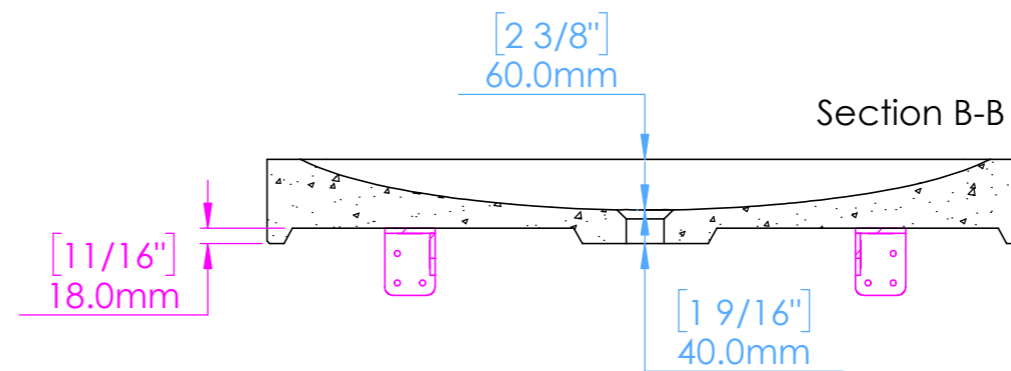
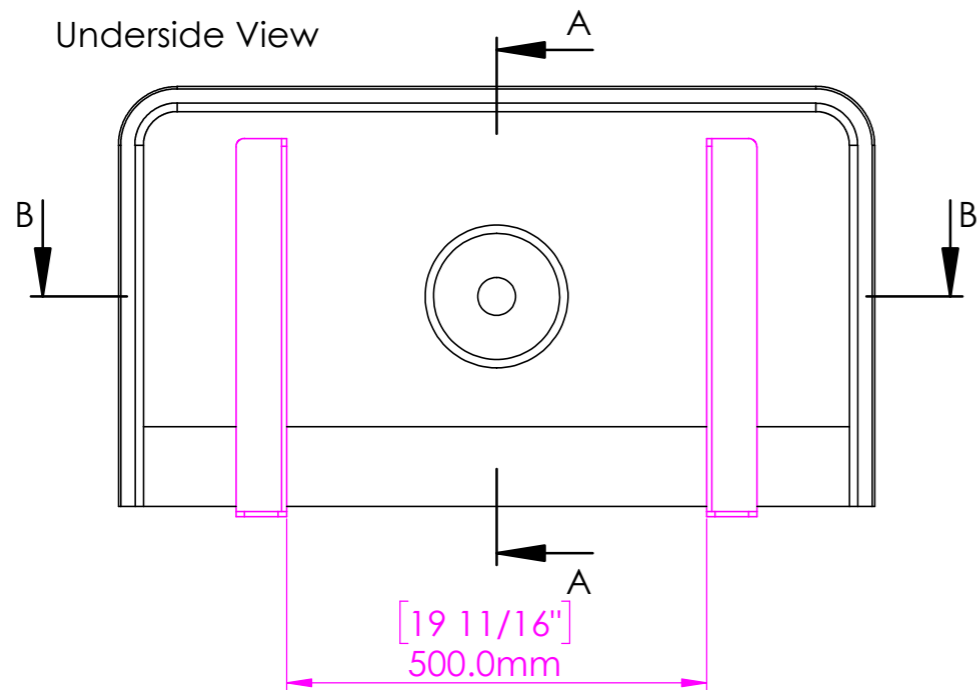
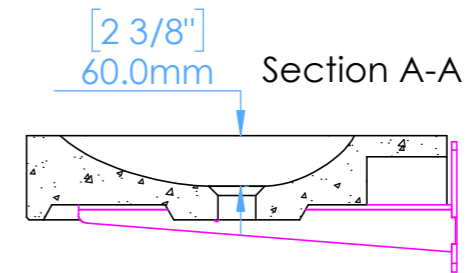
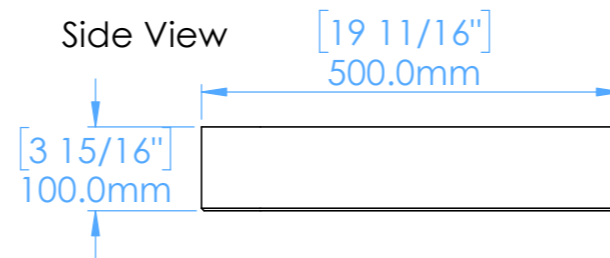
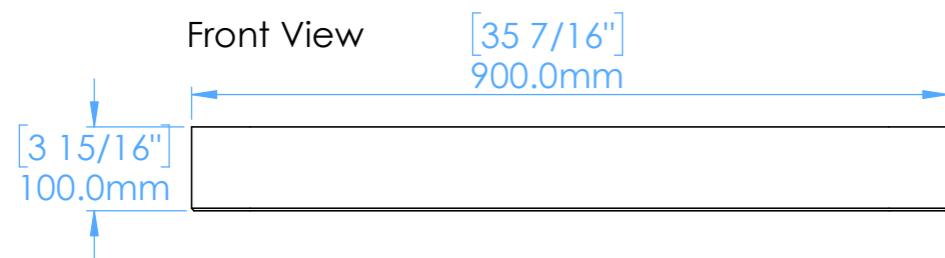
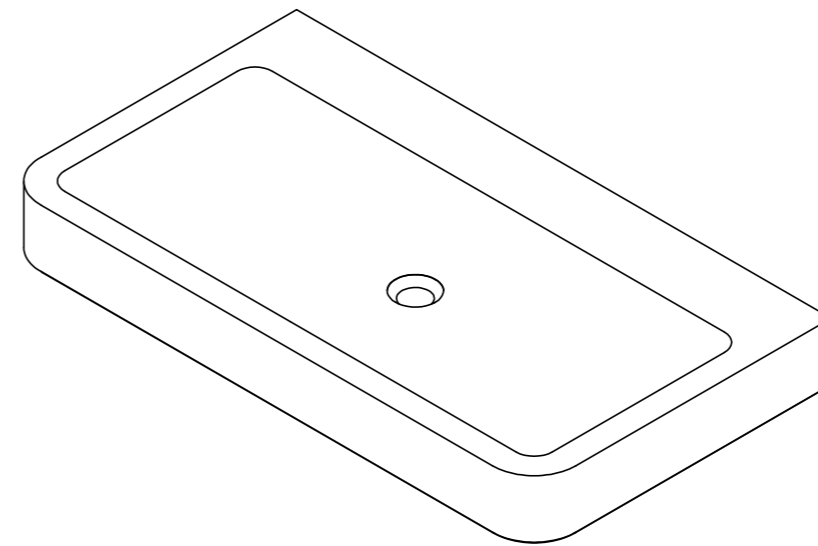
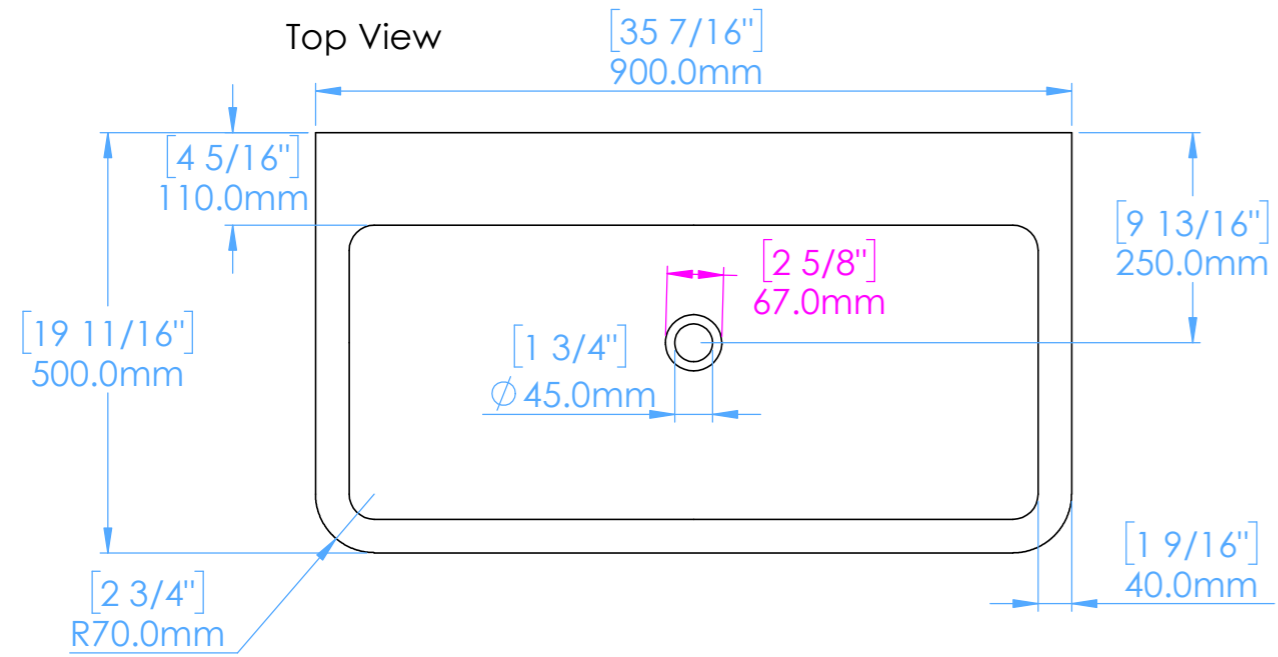


Brin A1



NOTES

Unless otherwise specified, dimensions are in millimeters.

Kast take no responsibility for any dimensions obtained by scaling from this drawing.

DIMENSIONS:

L900mm (35 7/16inches)
W500mm (19 11/16inches)
H100mm (3 15/16inches)

CODE:	B.A1
WEIGHT:	61kg / 134lbs
BRACKETS:	Included
DRAWN BY:	DB
TOLERANCE:	+/- 3mm

Kast

+44 (0) 1623 709249
info@kastconcretebasins.com
kastconcretebasins.com