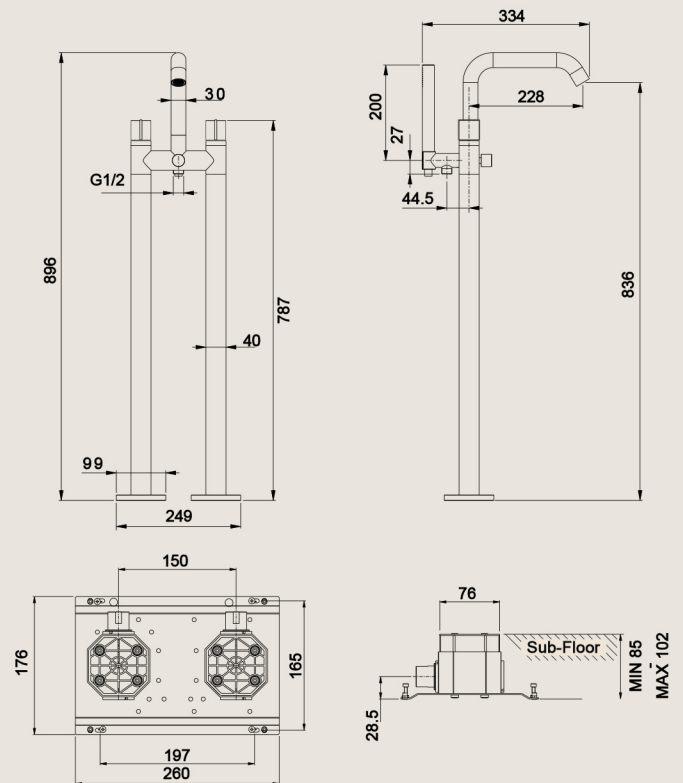
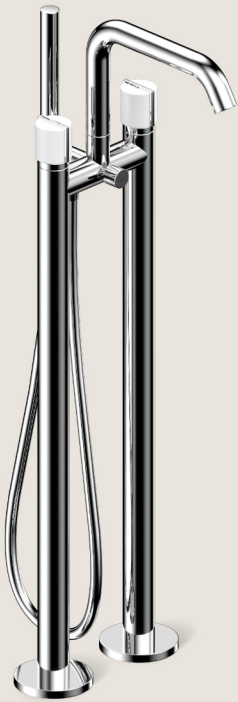
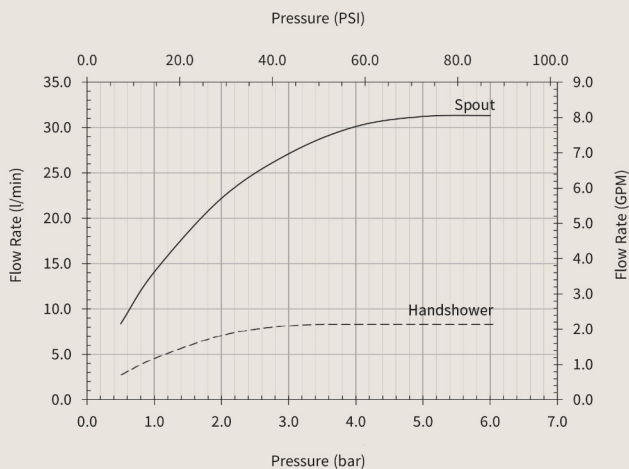


# Bath Kit 07

Floor Mounted 2 Hole Set with Handshower | M307



## Flow Rate



## Product Description

- Kit comprising of: 1 x S305 (Body), 1 x C303 (Concealed Part), 2 x H002 (Handle)
- Swappable Handle Accents
- Separate 1/4 turn Hot and Cold Valves with Pull-Out Diverter
- Supplied with 1500mm Flexible Shower Hose
- 1/2" Connections
- Requiring 2 x 85mm diameter holes in finished floor
- Ensure balanced feed pressures between 1-5 bar

## Main Finishes Available

- |                          |                        |
|--------------------------|------------------------|
| <b>G01</b> Simply Chrome | <b>G03</b> Warm Brass  |
| <b>G02</b> Silver Steel  | <b>G04</b> Dark Bronze |
| <b>P01</b> Soft Black    |                        |

## Side Module Finishes Available

- |                          |                           |
|--------------------------|---------------------------|
| <b>G01</b> Simply Chrome | <b>P03</b> Pink Sand      |
| <b>G02</b> Silver Steel  | <b>P05</b> Riverbank      |
| <b>P01</b> Soft Black    | <b>P08</b> Almost Harvest |
| <b>G03</b> Warm Brass    | <b>S01</b> White Carrara  |
| <b>G04</b> Dark Bronze   | <b>S02</b> Green Forest   |
| <b>P02</b> Bleached Deck |                           |

## Product Care

- Our finishes require both drying after use as well as careful & regular cleaning routines.
- Water pH should be balanced between 6.5 - 8.5 and should be free of minerals.
- Normal cleaning should only be done with mild liquid soap in warm water, applied with a microfibre cloth.
- Mineral buildup can be removed with lemon juice in water, applied with a microfibre cloth and then rinsed.
- Occasional application of a premium quality car body wax will help reduce mineral based standing water marks.