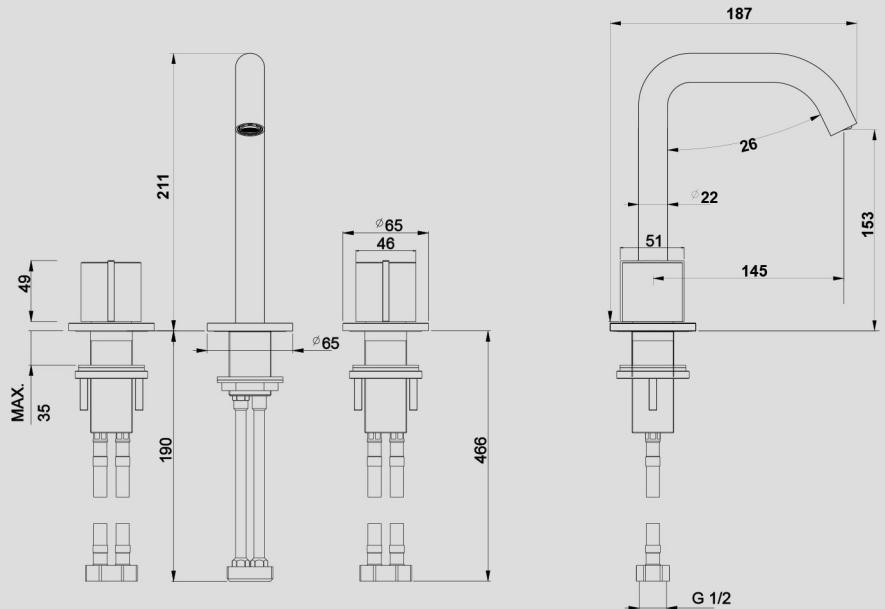


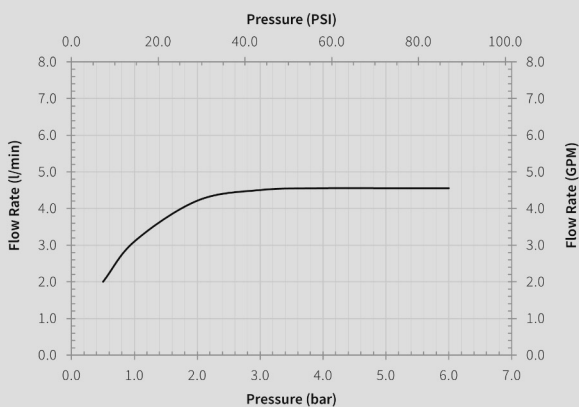
Basin Kit 04

Deck Mounted 3 Hole Set with Cranked Spout | M104



Flow Rate

4.5 litres per minute at 3 bar pressure



Main Finishes Available

G01 Simply Chrome
G02 Silver Steel

G03 Soft Black
P01 Warm Brass

Side Accent Finishes Available

G01 Simply Chrome
G02 Silver Steel
G03 Warm Brass
P01 Soft Black
P02 Bleached Deck
P03 Pink Sand

P04 Soft Clay
P05 Riverbank
P06 Clear Skies
P07 Hazy Day
P08 Almost Harvest
P09 Summer Field

Product Description

- Kit comprising of: 1 x S102 (Spout), 1 x C002 (Valve), 2 x H002 (Handle)
- Swappable Handle Side Modules
- Separate 1/4 turn hot and cold controls
- Pivoting Spout Aerator to allow redirection of water flow to suit basin design.
- Removable spout aerator for cleaning
- Coloured flow restrictor fitted into aerator
- 2 x 1/2" flexible hoses included
- Requiring 3 x 35mm diameter holes in counter
- Recommended spacing: 100mm (centre-to-centre)
- Maximum counter thickness: 35mm
- Ensure balanced feed pressured between 1-5 bar

Product Care

- Our finishes require both drying after use as well as careful & regular cleaning routines.
- Water pH should be balanced between 6.5 - 8.5 and should be free of minerals.
- Normal cleaning should only be done with mild liquid soap in warm water, applied with a microfibre cloth.
- Mineral buildup can be removed with lemon juice in water, applied with a microfibre cloth and then rinsed.
- Occasional application of a premium quality car body wax will help reduce mineral based standing water marks.