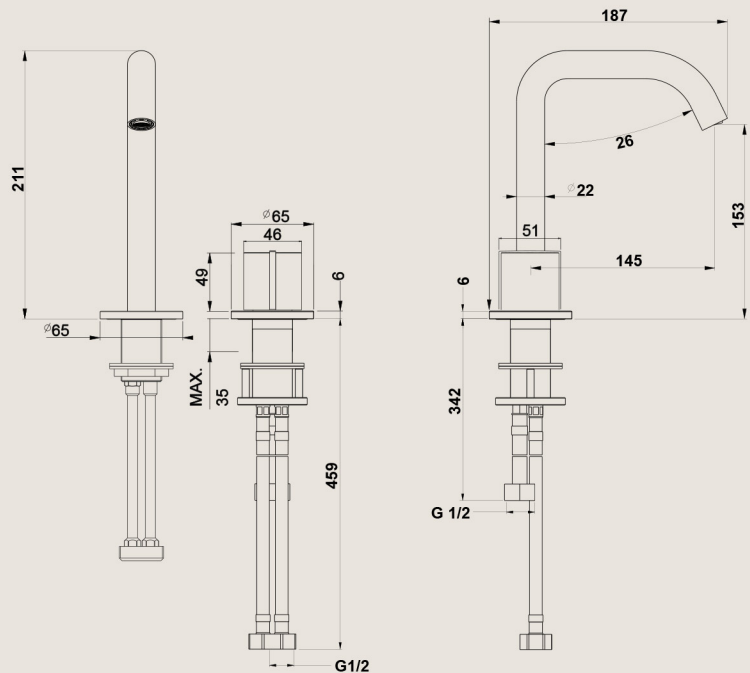
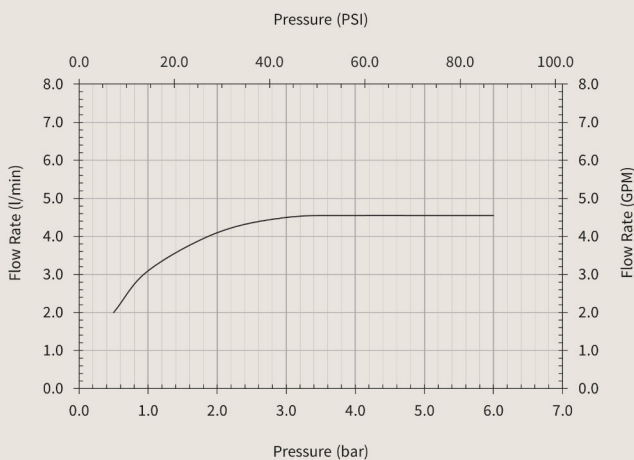


Basin Kit 02

Deck Mounted 2 Hole Set with Cranked Spout | M102



Flow Rate



Main Finishes Available

- G01** Simply Chrome
- G02** Silver Steel
- P01** Soft Black
- G03** Warm Brass
- G04** Dark Bronze

Side Accent Finishes Available

- G01** Simply Chrome
- G02** Silver Steel
- P01** Soft Black
- G03** Warm Brass
- G04** Dark Bronze
- P02** Bleached Deck
- P03** Pink Sand
- P05** Riverbank
- P08** Almost Harvest
- S01** White Carrara
- S02** Green Forest

Product Description

- Kit comprising of: 1 x S102 (Spout), 1 x C001 (Valve), 1 x H002 (Handle)
- Swappable Handle Accents
- 1/2 turn hydroprogressive mixing system
- Pivoting Spout Aerator to allow redirection of water flow to suit basin design.
- Removable spout aerator for cleaning
- Coloured flow restrictor fitted into aerator
- 2 x 1/2" flexible hoses included
- Requiring 3 x 35mm diameter holes in counter
- Recommended spacing: 100mm (centre-to-centre)
- Maximum counter thickness: 35mm
- Ensure balanced feed pressures between 1-5 bar

Product Care

- Our finishes require both drying after use as well as careful & regular cleaning routines.
- Water pH should be balanced between 6.5 - 8.5 and should be free of minerals.
- Normal cleaning should only be made with mild liquid soap in warm water, applied with a microfibre cloth.
- Mineral buildup can be removed with lemon juice in water, applied with a microfibre cloth and then rinsed.
- Occasional application of a premium quality car body wax will help reduce mineral based standing water marks.