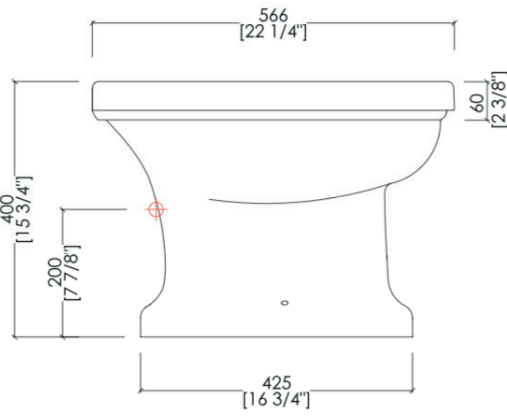
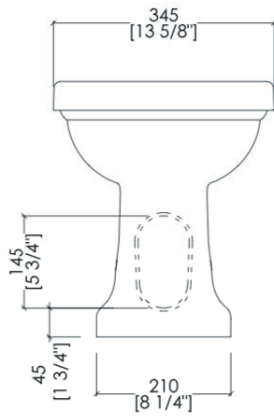
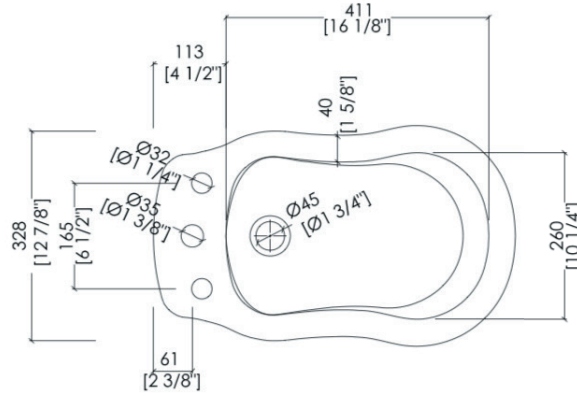
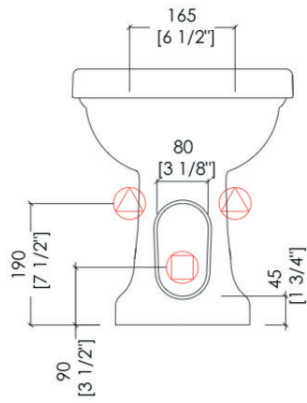




INGRESSO ACQUA /  
WATER ENTRANCE



-  POSITION FOR WATER INLET
-  POSITION FOR SIPHON